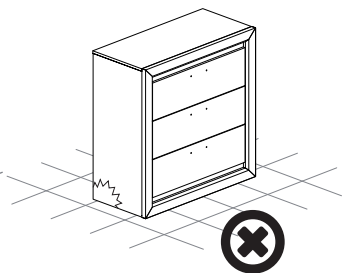
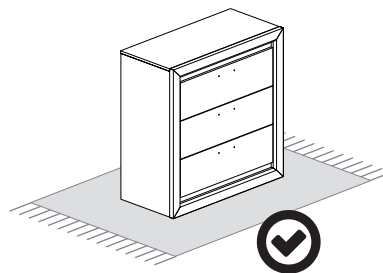
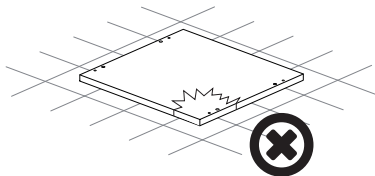
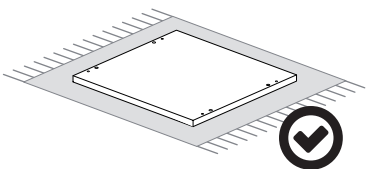
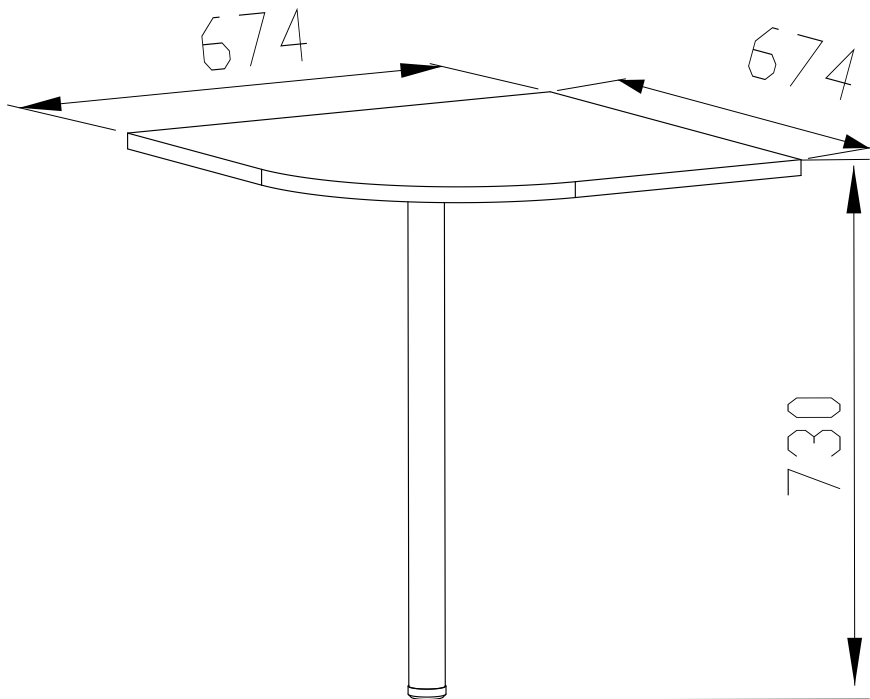
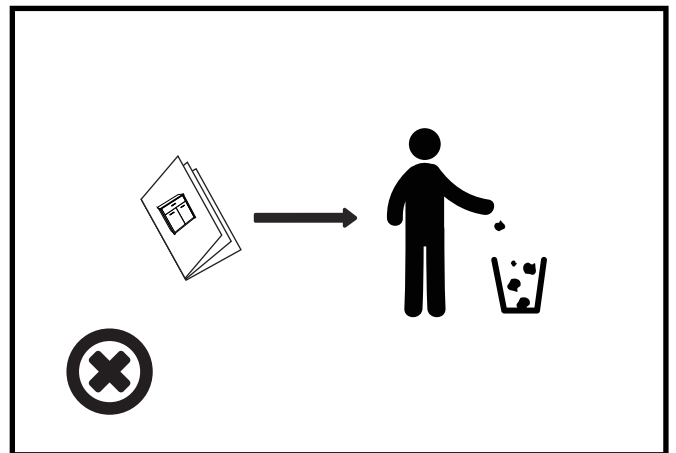
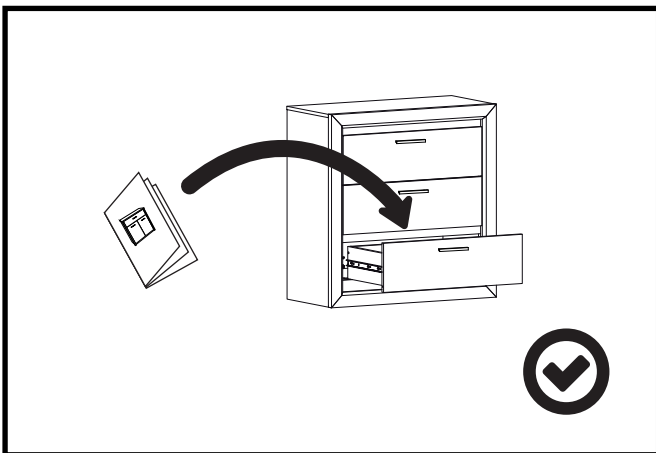
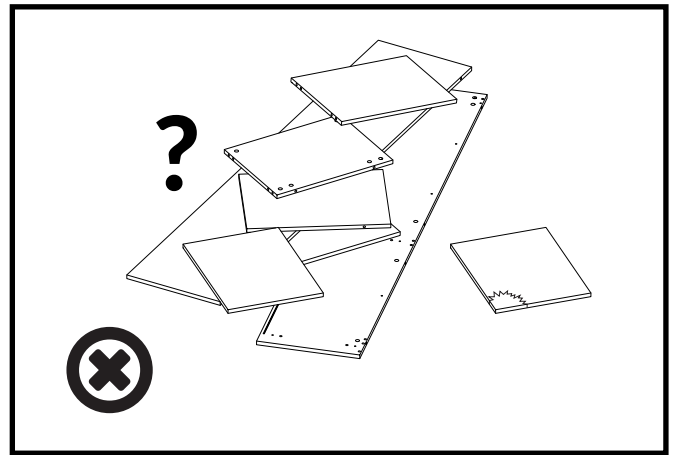
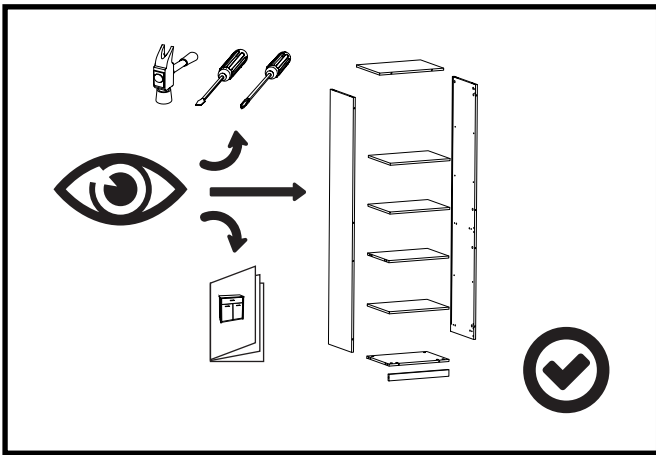
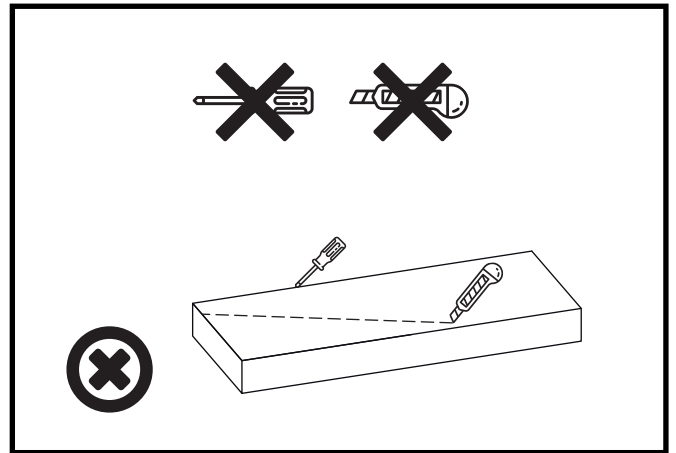
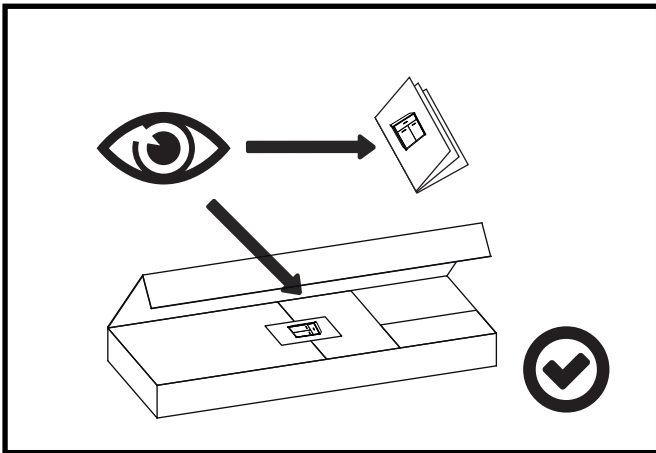
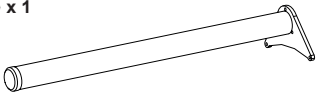
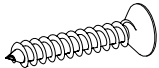
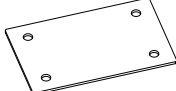
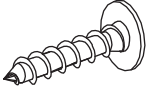


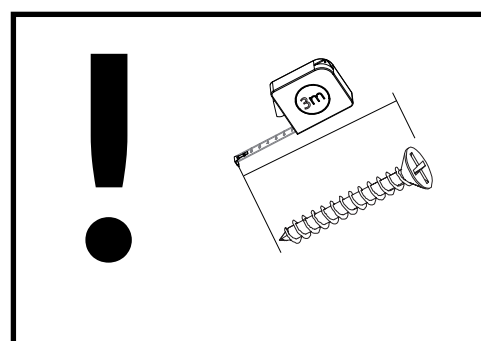
OPTIMAL 20



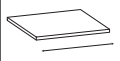
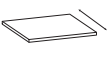
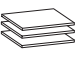


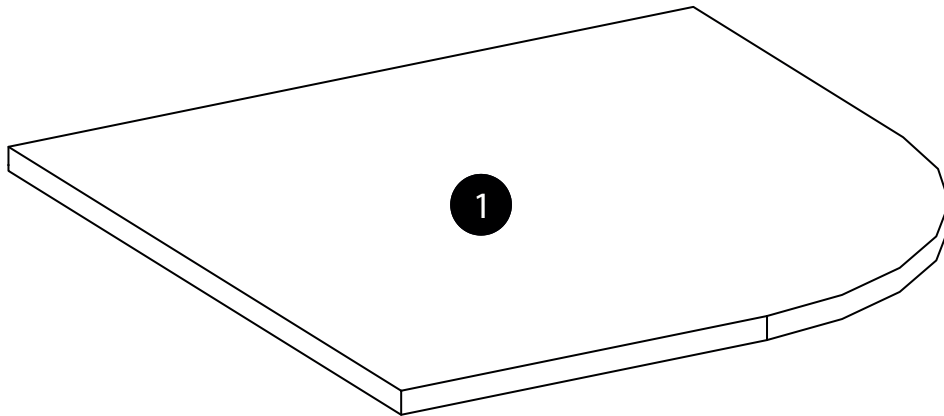
OPTIMAL 20

<p>NS1 x 1</p> 	<p>WT34 x 5</p> 	<p>PM1 x 4</p> 
<p>WT2 x 16</p> 		

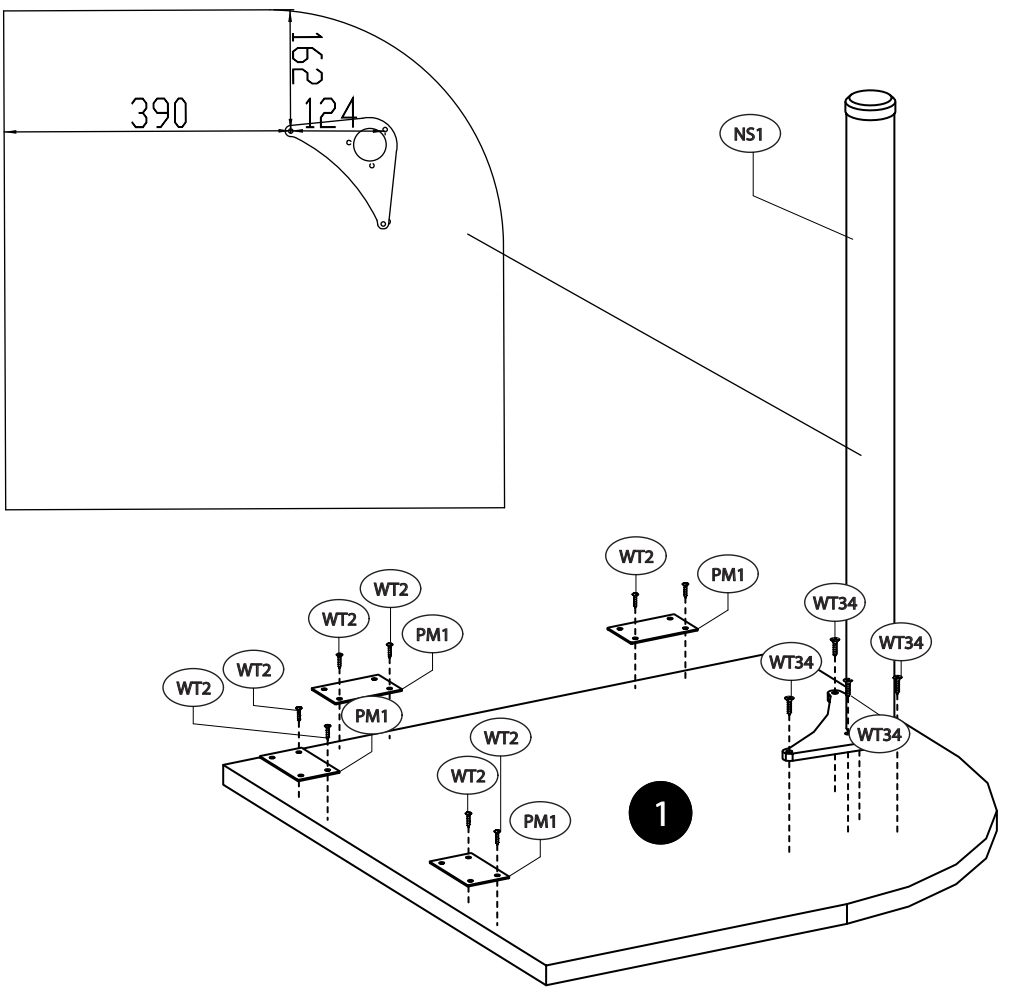


OPTIMAL 20

			
1	674	674	1



A ▶



B ▶

